

The list shows the numbers of visitors who arrived and the numbers of visitors who left a science museum for the first three hours after it opened one day.

- \* In the first hour, 294 visitors arrived.
- \* In the second hour, 408 visitors arrived and 89 visitors left.
- \* In the third hour, 313 visitors arrived and 175 visitors left.

How many visitors were in the science museum after the third hour?

A baker had 48 cups of flour in a container. The baker used  $11\frac{1}{4}$  cups of flour on Friday and  $14\frac{1}{2}$  cups of flour on Saturday.

How many cups of flour were left in the container?

The frequency table shows the number of movies watched last month by each student in Mr. Westley's class.

What is the difference between the number of students who watched 2 movies last month and the number of students who watched one movie last month?

| Number of Movies | Number of Students |
|------------------|--------------------|
| 1                |                    |
| 2                |                    |
| 3                |                    |
| 4                |                    |

A large envelope contains only \$5 bills. The total value of the \$5 bills is \$2,435.

How many \$5 bills are in the envelope?

SCHEMA: D

SCHEMA: C (multi-step)

Grade 4

Grade 4

SCHEMA: EG

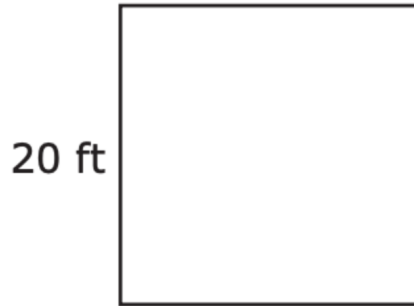
SCHEMA: C (multi-step)

Grade 4

Grade 4

The width of a square playground is shown in feet.

What is the area of the playground in square feet?



Meredith had 12 packages of erasers to put into bags.

- \* Each package had 43 erasers.
- \* She put 6 erasers into each bag.

What is the greatest number of bags Meredith could have put erasers into?

Ms. Lanford buys and sells used clothes. Ms. Lanford bought a dress, a sweater, and shorts for a total of \$12.00. She then sold each item for the price shown in the list.

- \* She sold the dress for \$20.75.
- \* She sold the sweater for \$15.25.
- \* She sold the shorts for \$8.50.

What was Ms. Lanford's total profit from selling the dress, sweater, and shorts?

There are 1,150 baseball cards that will be sorted into bags. Each bag holds 5 baseball cards.

How many bags are needed for all the baseball cards?

SCHEMA: EG & EG (multi-step)

SCHEMA: EG

Grade 4

Grade 4

SCHEMA: EG

SCHEMA: T & D (multi-step)

Grade 4

Grade 4

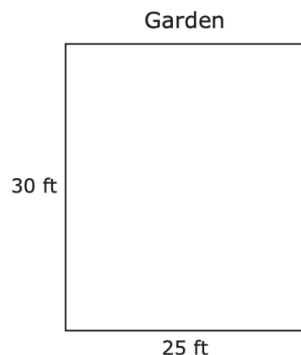
Lindsey purchased one pet carrier that cost \$21.89 and 2 bags of cat food that cost \$16.49 each. What was the total cost of these items?

An orchestra had 8 performances. There were 2,464 tickets sold for each performance.

What was the total number of tickets sold for all 8 performances?

Harrison has a rectangular garden in his backyard. The dimensions are shown in feet.

What is the perimeter of the garden in feet?



There are 20 rows of pumpkins on a farm. There are 6 pumpkins in each row. A farmer will use 3 trucks to take all of the pumpkins to a market. The farmer will put the same number of pumpkins in each truck.

How many pumpkins will be in each truck?

SCHEMA: EG

SCHEMA: EG & T

Grade 4

Grade 4

SCHEMA: EG & EG (multi-step)

SCHEMA: T

Grade 4

Grade 4

A customer bought almonds and walnuts at a grocery store.

- \* The customer bought 1 pound 15 ounces of almonds.
- \* The customer bought 3 pounds 4 ounces of walnuts.

What is the total amount of almonds and walnuts in pounds and ounces that the customer bought?

An art teacher ordered 26 marker sets for his classes. There are 100 markers in each set.

How many markers are in 26 sets?

There are two hiking trails in a park.

- \* Trail Y is 2.7 miles long.
- \* Trail Z is 5.84 miles long.

What is the total length of these two hiking trails?

Kelsi spends \$6.75 every Saturday for breakfast. What is the total amount of money Kelsi spends on breakfast for 14 Saturdays?

SCHEMA: EG

SCHEMA: T

Grade 4

Grade 4

SCHEMA: EG

SCHEMA: T

Grade 4

Grade 4



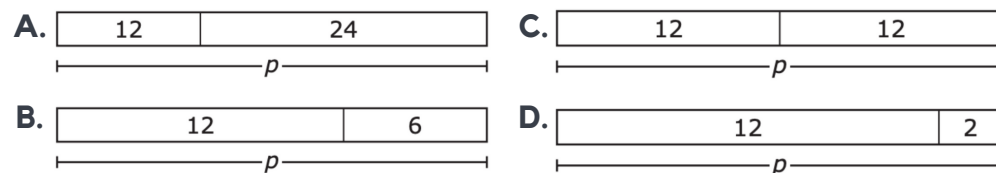
The fourth-grade classes at a school made flowers to decorate the cafeteria. There are 5 fourth-grade classes at this school.

- \* To make each flower, 4 sheets of paper were used.
- \* The classes used a total of 300 sheets of paper.
- \* Each class made the same number of flowers.

How many flowers did each fourth-grade class make?

Erin has 12 pictures from a field trip and some pictures from a vacation. She has twice as many pictures from the vacation as from the field trip.

Which strip diagram represents  $p$ , the total number of pictures Erin has?



The table shows the number of miles a family will travel next summer.

Which is the best estimate of the combined number of miles this family will travel next summer?

- A. 700 mi
- B. 900 mi
- C. 1,100 mi
- D. 2,300 mi

| Start                        | Finish                       | Distance (miles) |
|------------------------------|------------------------------|------------------|
| Home                         | Dinosaur Valley State Park   | 81               |
| Dinosaur Valley State Park   | Longhorn Cavern State Park   | 129              |
| Longhorn Cavern State Park   | Stephen F. Austin State Park | 181              |
| Stephen F. Austin State Park | Galveston Island State Park  | 110              |
| Galveston Island State Park  | Lake Whitney State Park      | 288              |
| Lake Whitney State Park      | Home                         | 78               |

The table shows numbers of feet and the equivalent numbers of inches.

Lionel painted a wall that is 12 feet long. How many inches long is the wall that Lionel painted?

| Number of Feet | Number of Inches |
|----------------|------------------|
| 3              | 36               |
| 5              | 60               |
| 8              | 96               |
| 10             | 120              |

SCHEMA: S & T (multi-step)

SCHEMA: EG & EG (multi-step)

Grade 4

Grade 4

SCHEMA: EG

SCHEMA: T

Grade 4

Grade 4

There were 3 quarts of water in a container in a science classroom. A student poured 1 quart 3 cups of water into a sink.

What amount of the water in quarts and cups was left in the container after the student poured some of the water into the sink?

A baker is making cakes. It takes 9 eggs to make each cake. The baker has 8 cartons of eggs, and each carton contains 12 eggs.

What is the greatest number of cakes the baker can make using these eggs?

On Thursday, 50 books were returned to a library. On Friday, 4 times as many books were returned to the library as books that were returned on Thursday.

Which set of equations can be used to find  $b$ , the total number of books returned to the library on these two days?

A.  $50 + 50 = 100$   
 $100 \times 4 = b$

C.  $50 \times 4 = 200$   
 $200 \times 50 = b$

B.  $50 + 50 = 100$   
 $100 + 4 = b$

D.  $50 \times 4 = 200$   
 $200 + 50 = b$

A rectangular place mat is 18 inches long and 12 inches wide. What is the area of this place mat in square inches?

SCHEMA: S & T (multi-step)

SCHEMA: D

Grade 4

Grade 4

SCHEMA: EG

SCHEMA: EG & EG (multi-step)

Grade 4

Grade 4

Gwen had a board that was 6.48 meters long. She cut the board into 9 pieces of equal length.

What was the length of each piece in meters?

Ms. Wilmeth bought 4 bags of candies. Each bag contained 8 candies. She put an equal number of these candies into each of 9 gift boxes.

How many candies were left over?

Olivia has 2 gallons and 3 quarts of vanilla ice cream and 1 gallon and 2 quarts of chocolate ice cream left over from a party.

What is the total number of gallons and quarts of ice cream that Olivia has left over?

The rectangular top of Kathleen's desk has a length of 24 inches and a width of 17 inches. What is the area of the top of Kathleen's desk in square inches?

SCHEMA: EG & EG (multi-step)

SCHEMA: EG

Grade 4

Grade 4

SCHEMA: EG

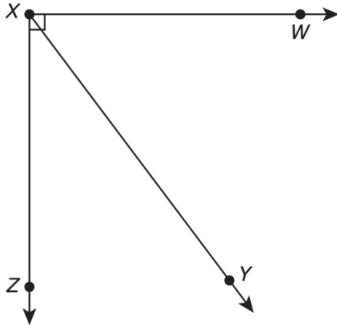
SCHEMA: T

Grade 4

Grade 4

The measure of angle WXZ is  $90^\circ$ . The measure of angle WXY is  $53^\circ$ .

What is the measure in degrees of angle YXZ?



The owners of a business rented 4,506.23 square feet of space in an office building. They plan to use 281.6 square feet of the space for the kitchen.

How many square feet of space are left?

Each Saturday Mr. Franklin teaches 3 piano lessons at his music school and 4 piano lessons in students' homes.

\*For each lesson at his music school, he charges \$15.

\*For each lesson in a student's home, he charges \$20.

What is the amount of money in dollars Mr. Franklin earns from piano lessons each Saturday?

Zeke used  $\frac{3}{4}$  cup of white sugar,  $\frac{3}{4}$  cup of brown sugar, and  $2\frac{1}{4}$  cups of flour to bake some cookies.

What was the difference between the amount of flour and the combined amount of sugar Zeke used?

SCHEMA: D

SCHEMA: D

Grade 4

Grade 4

SCHEMA: T & D (multi-step)

SCHEMA: EG, EG & T (multi-step)

Grade 4

Grade 4



A baker made 24 cakes each day for 2 days. He used 4 cups of flour for each cake he made.

What was the total number of cups of flour the baker used on these 2 days?

Hannah drew straight lines on her driveway with chalk. The table shows the lengths of the lines.

What is the difference in meters between the length of Line S and the length of Line P?

| Line | Length (meters) |
|------|-----------------|
| P    | 1.8             |
| Q    | 4.05            |
| R    | 7               |
| S    | 7.75            |

Fran bought 4 shirts that were \$13 each. She also bought a pair of socks for \$4.29.

What was the total amount Fran paid for the shirts and socks?

Darren drank 3 glasses of water every day for 6 days. Each glass contained 12 fl oz of water.

What is the total amount of water in fluid ounces that Darren drank during these 6 days?

SCHEMA: D

SCHEMA: EG & EG (multi-step)

Grade 4

Grade 4

SCHEMA: EG & EG (multi-step)

SCHEMA: EG & T (multi-step)

Grade 4

Grade 4

The table shows the chores Randy did Saturday morning and the amount of time he spent on each chore.

How much time did Randy spend doing these chores?

| Chore               | Amount of Time (minutes) |
|---------------------|--------------------------|
| Sweeping the garage | 40                       |
| Raking the yard     | 55                       |
| Cleaning tools      | 35                       |
| Washing the car     | 45                       |
| Weeding the garden  | 30                       |

A teacher put 378 marbles into 9 containers. He put the same number of marbles into each container.

How many marbles did the teacher put into each container?

Sandy purchased two patio chairs that cost \$57.65 each and a table that cost \$146.22. What is the total cost of these items?

A business earned \$96 for one job and \$78 for a second job. The money was divided equally among the 3 partners who own the business.

Which strip diagram represents  $m$ , the amount of money each partner received?

- A. 

|      |      |     |
|------|------|-----|
| $m$  | $m$  | $m$ |
| \$78 | \$96 |     |
- B. 

|      |      |      |      |      |      |
|------|------|------|------|------|------|
| $m$  |      |      |      |      |      |
| \$78 | \$96 | \$78 | \$96 | \$78 | \$96 |
- C. 

|      |     |     |
|------|-----|-----|
| $m$  | $m$ | $m$ |
| \$96 |     |     |
- D. 

|      |      |
|------|------|
| $m$  |      |
| \$78 | \$96 |

SCHEMA: EG & T (multi-step)

SCHEMA: T

Grade 4

Grade 4

SCHEMA: T & EG (multi-step)

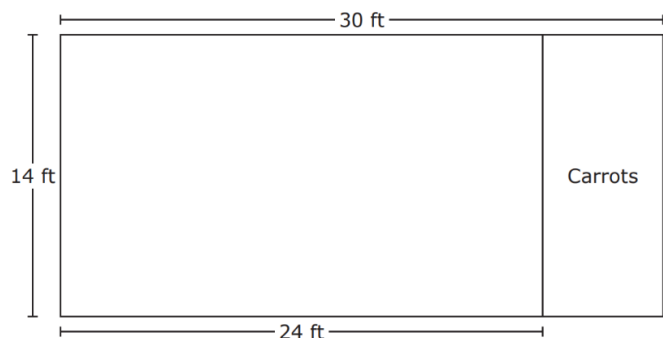
SCHEMA: EG

Grade 4

Grade 4

The model represents Norman's rectangular backyard garden. Norman will plant carrots in the rectangular section of the garden labeled "Carrots" in the model.

What is the area in square feet of the section where Norman will plant carrots?



Melanie had two \$10 bills, one \$5 bill, four dimes, and six pennies. Then she bought a fruit cup for \$2.19.

How much money did Melanie have after she bought the fruit cup?

The stem and leaf plot shows the scores given to the dogs at a dog show. Possible scores were between 0.1 and 5.0.

What is the difference between the highest score and the lowest score shown in the stem and leaf plot?

| Stem | Leaf      |
|------|-----------|
| 0    | 8         |
| 1    | 2 5       |
| 2    | 2 4 8     |
| 3    | 0 3 3 6 8 |
| 4    | 0 5 5     |

1|5 means a score of 1.5.

There are 27 teams in a hockey league. There are 16 players on each team. How many players are in the hockey league?

SCHEMA: T & C (multi-step)

SCHEMA: D & EG (multi-step)

Grade 4

Grade 4

SCHEMA: EG

SCHEMA: D

Grade 4

Grade 4

On Monday, Pete and Ted completed a total of  $\frac{7}{10}$  of their group project. Pete completed  $\frac{3}{10}$  of the project.

What fraction of the group project did Ted complete on Monday?

It took Ian three years to collect 25,413 aluminum cans to recycle. In the first year he collected 8,917 cans, and in the second year he collect 7,639 cans.

What is the number of cans Ian collected in the third year?

Zoey sold snacks at a neighborhood pool. The cost of preparing the snacks was \$10.29. The money she received from the sale of the snacks was \$21.75.

What was Zoey's profit?

Mr. Yates walks around the perimeter of a square playground every day for exercise. Each side of the playground is 29 yards long.

What is the perimeter of the playground in yards?

SCHEMA: T (three parts)

SCHEMA: D

Grade 4

Grade 4

SCHEMA: T

SCHEMA: D

Grade 4

Grade 4



The coaches at Xavier Elementary School bought cases of sports drinks for a field day. They bought 76 cases of drinks. Each case contained 24 drinks.

All the drinks were given out to students. Each student received 3 sports drinks.

How many students received sports drinks?

Kristine has a \$10 bill to spend at a book fair. She buys one book for \$4.95, two bookmarks for \$0.65 each, and a key chain for \$1.85.

How much change should Kristine receive from her \$10 bill?

SCHEMA: C (multi-step)

SCHEMA: EG & EG (multi-step)

Grade 4

Grade 4